



## Main Features:-

- ◆ Gate valve with elastic closing
- ◆ 2 1/2" to 8", 300 PSI
- ◆ Rising Stem, Clockwise To Close Valve
- ◆ Max. Working Temperature 80C \*
- ◆ Bidirectional Installation

\*Temperature and pressure determined by valve body, seat etc.

## Suitable Applications & Approvals:



HVAC



OIL



GAS



INDUSTRY

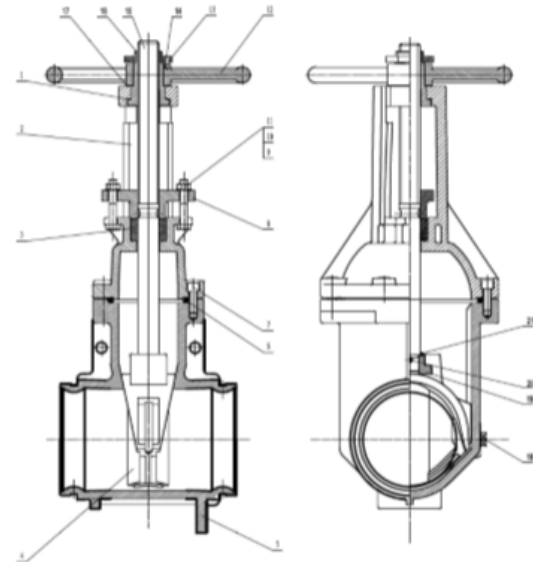


## SERIES: 80630

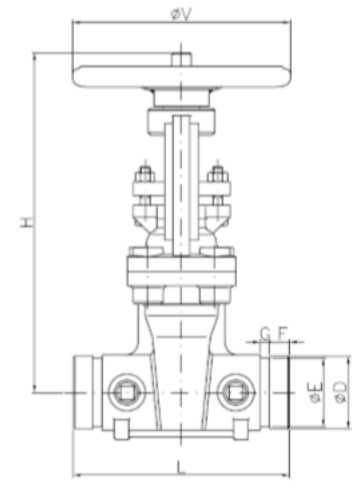
MANUFACTURER: **GENEBRE**

VALVE MATERIALS & DIMENSIONS

ITEM	SECTION	MATERIAL	ADDITIONAL INFO
1	Gasket	SS 304	-
2	Bonnet	EN-GJS-400	Epoxy coated
3	Packing	Graphite	-
4	Wedge Body	EN-GJS-400+EPDM	-
5	Body	EN-GJS-400	Epoxy coated
6	Body Gasket	EPDM	-
7	Bolt	AISI 304	-
8	Gland	EN-GJS-400	Epoxy coated
9	Nut	AISI 304	-
10	Washer	AISI 304	-
11	Bolt	AISI 304	-
12	Handwheel	EN-GJS-400	Epoxy coated
13	Lock Nut	Carbon Steel	-
14	Locating Screw	AISI 304	-
15	Stem	AISI 304	-
21	O'Ring	EPDM	-



SIZE	L	D	E	F	G	H	V	KG
2 1/2"	190	73	69.1	15.9	7.9	370	190	16.5
3"	203	88.9	84.9	15.9	7.9	420	256	22
4"	229	114.3	110.1	15.9	9.5	447	256	26
5"	254	141.3	137	15.9	9.5	547	310	40
6"	267	168.3	164	15.9	9.5	607	310	48
8"	292	219.1	214.4	19	11.1	754	355	72



T +44 (0)1386 552369

E sales@allvalves.co.uk

W www.allvalves.co.uk

F +44 (0)1386 554227